

## iBrin-62.5 Low Load Digital Brinell Hardness Tester



Video



### Contact us

**Mikrosize Precision Instrument Co.,Ltd**

A-4035 RuiFeng Business Expo, Wuhu City, China , 241000.

Web: [www.mikrosize.com](http://www.mikrosize.com)

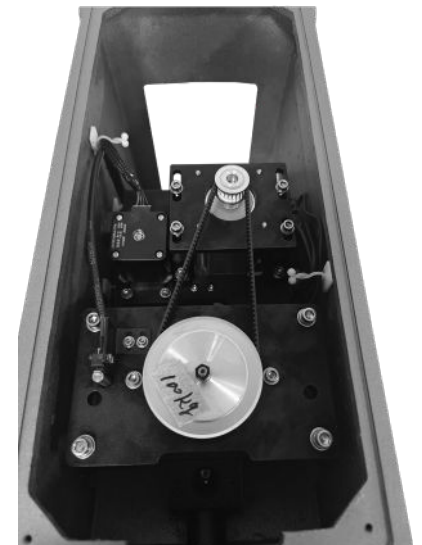
Email: [mikrosize@mikrosize.com](mailto:mikrosize@mikrosize.com)



## Features And Applications

### Product Features

- Closed loop loading, equipped with high-precision sensors and measurement systems to ensure test result accuracy and reliability.
- Liquid crystal touch screen, simple and convenient operation and use.
- Fully automatic operation for test force application (loading/dwell/unloading).
- Equipped automatic turret simultaneously holds 2 objectives and 1 indenter, automatically switching between indenter and objectives.
- Supports display in 4 languages (including chinese and english).
- Built-in thermal printer.
- Equipped with rs232 and usb interfaces for connecting to computers and printers.
- Automatic input of indentation size after measurement, automatic output of hardness value.
- Adjustable light source.



### Product Applications

- Soft metal material testing for materials with low hardness like pure aluminum, copper, lead, tin, zinc, and their alloys, where traditional hardness testing methods may struggle to provide accurate measurements, the small-load brinell hardness tester can accurately reflect their hardness characteristics.
- For small-sized or complex-shaped parts, the small-load brinell hardness tester allows convenient hardness testing without damaging or cutting the part

## Instrument Appearance



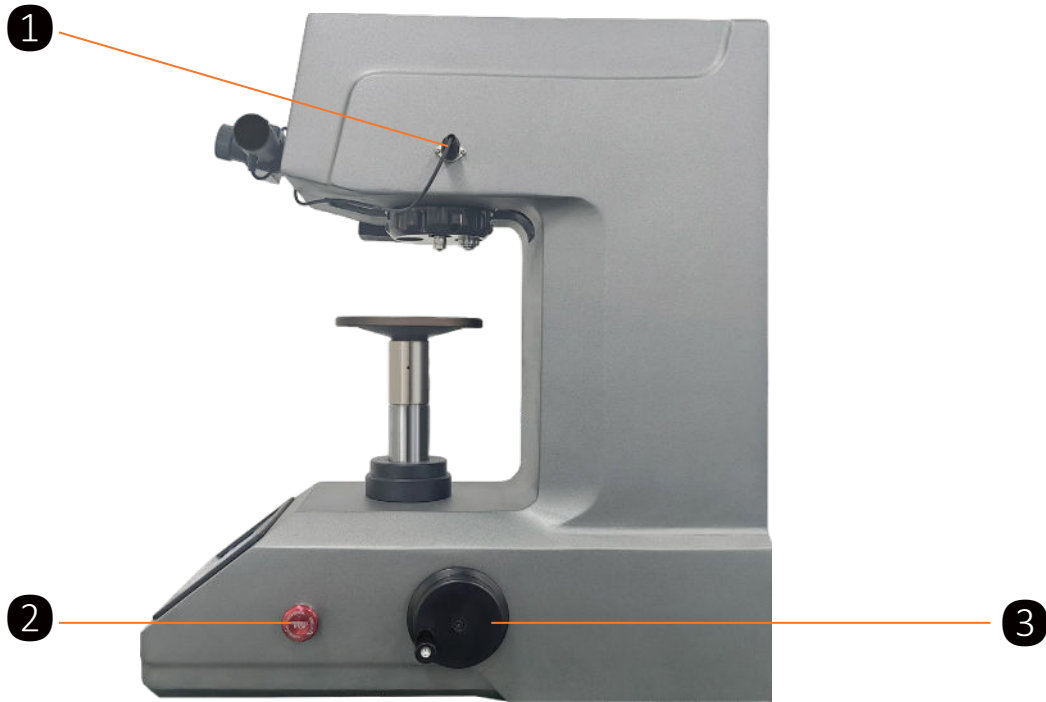
**1. Light Source**  
**5. Test Anvil**

**2. Micrometer Eyepiece**  
**6. Lifting Screw**

**3. Automatic Turret**  
**7. Display Screen**

**4. Indenter**

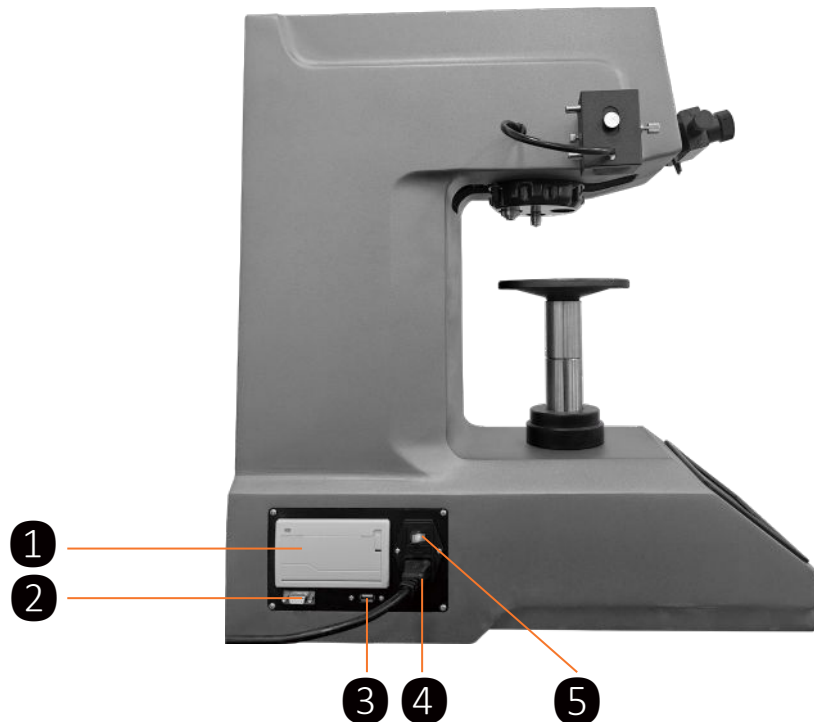
## Instrument Appearance



**1. Micrometer Eyepiece Interface**

**2. Emergency Stop Button**

**3. Handwheel**



**1. Printer**

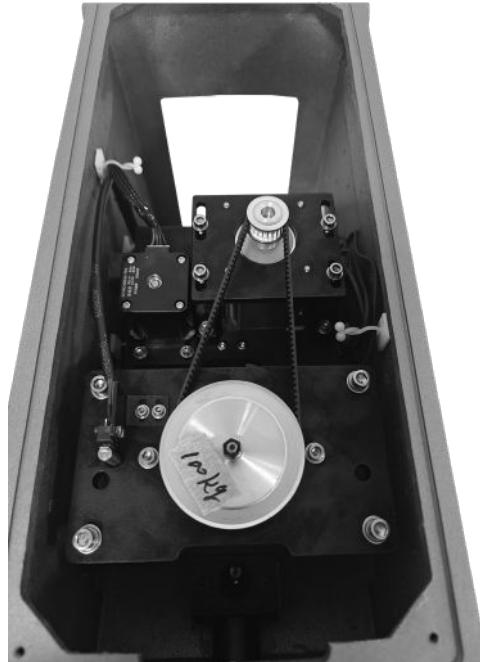
**2. RS232 Interface**

**3. USB Interface**

**4. Power Cord Socket**

**5. Power Switch**

## Product Details

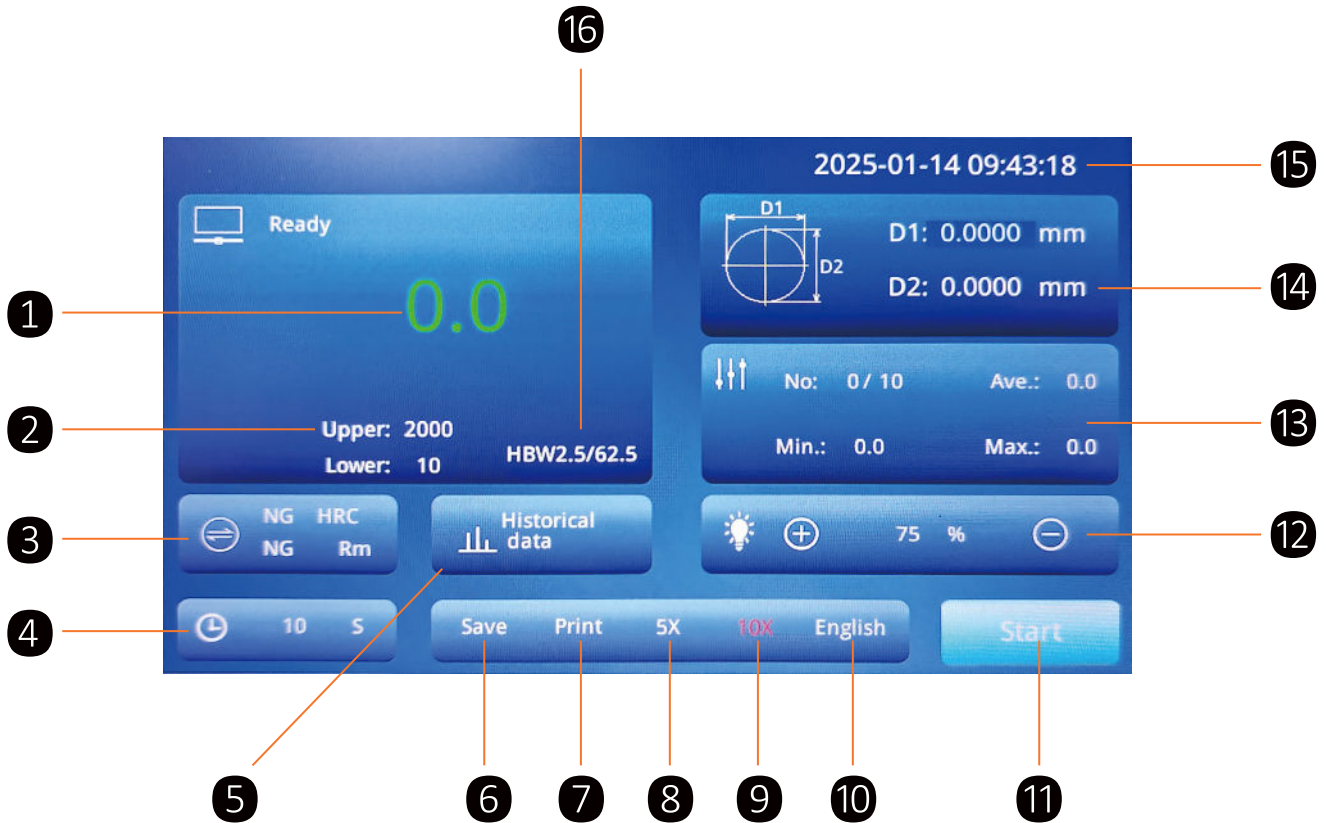


- This device uses electronic weight loading, combined with high-precision sensors and measurement systems, ensuring accurate test results.



- The automatic turret simultaneously holds 2 objectives (5x, 10x) and 1 indenter. Automatic switching between the indenter and objectives significantly enhances the user experience.

## Product Functions



**1. Test Results**

**2. Upper/Lower Limit Setting**

**3. Scale Conversion**

**4. Dwell Time**

**5. History Data**

**6. Save**

**7. Print**

**8. 5x Objective**

**9. 10x Objective**

**10. Language Switch**

**11. Start Key**

**12. Brightness Adjustment**

**13. Test Data**

**14. Indentation Size**

**15. Time/Date**

**16. Test Scale**

## Operation Interface

### Scale Selection



- The device supports 16 test scales, covering a wide range to meet most user requirements (some scales require optional indenters).
- Hbw1/1、 hbw1/1.25、 hbw1/2.5、 hbw1/5、 hbw1/10、 hbw1/15、 hbw1/30、 hbw2/20  
Hbw2.5/6.25、 hbw2.5/7.8125、 hbw2.5/15.625、 hbw2.5/31.25、 hbw2.5/62.5  
Hbw5/25、 hbw5/31.25、 hbw5/62.5

### Scale Conversion



- The device supports 16 test scales, covering a wide range to meet most user requirements (some scales require optional indenters).
- Hbw1/1、 hbw1/1.25、 hbw1/2.5、 hbw1/5、 hbw1/10、 hbw1/15、 hbw1/30、 hbw2/20  
Hbw2.5/6.25、 hbw2.5/7.8125、 hbw2.5/15.625、 hbw2.5/31.25、 hbw2.5/62.5  
Hbw5/25、 hbw5/31.25、 hbw5/62.5

## Operation Interface

### Test Data



- Supports recording up to 10 sets of data per test. Users can set the number of test groups arbitrarily between 1 and 10. Tap the screen to bring up the numeric keypad and enter the desired number. Dwell time modification works the same way (require optional indenters).

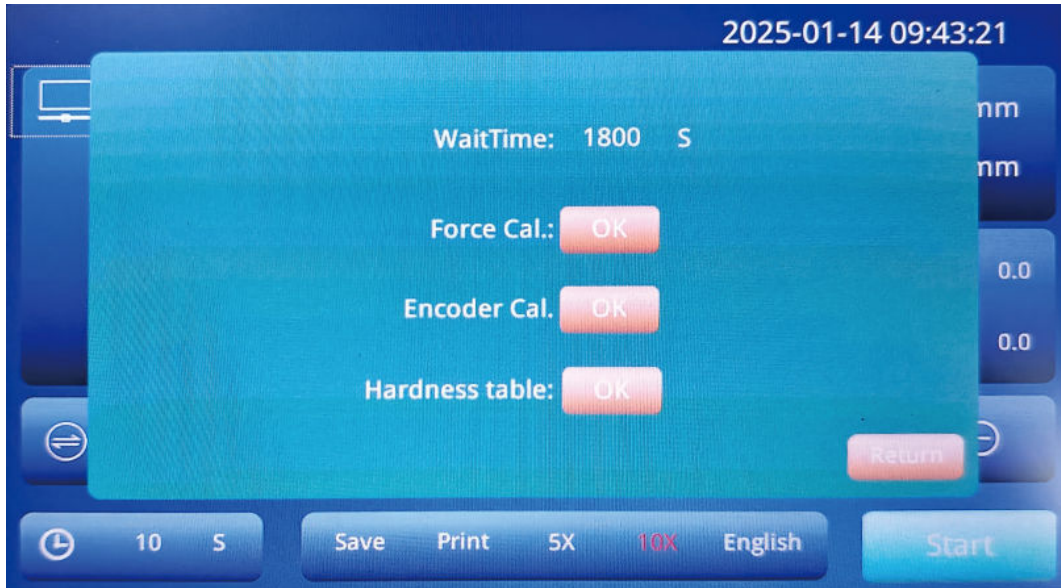
### Data Management



- After completing a test, click "save" to view the data in history data
- Users can also delete data or print it
- Data can be printed directly using the built-in printer or after connecting to a computer.

## Operation Interface

### Test Data



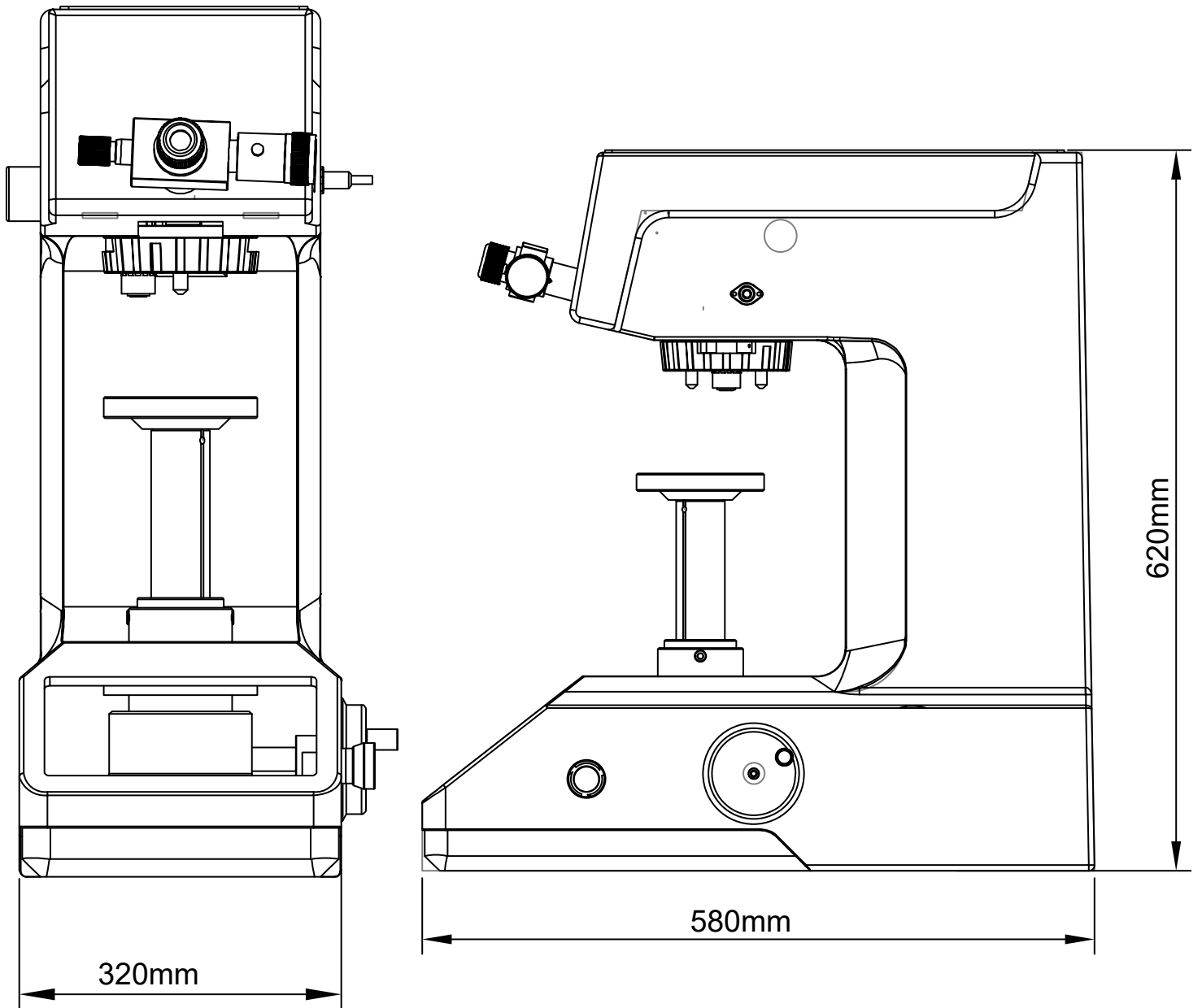
- Force calibration and encoder calibration were performed before leaving the factory. Users are advised not to make changes themselves, as this may cause inaccuracies in device testing.

### Data Management



- This device supports 4 display languages, and supports customization of other languages.

## Instrument Dimension




# Technical Specification

<b>Name</b>	Low Load Digital Brinell Hardness Tester
<b>Model</b>	iBrin-62.5
<b>Measuring Range</b>	8~650HBW
<b>Test Force</b>	1kgf、 1.25kgf、 2.5kgf、 5kgf、 6.25kgf、 7.8125kgf、 10kgf、 15kgf、 15.625kgf、 20kgf、 25kgf、 30kgf、 31.25kgf、 62.5kgf
<b>Test Scales</b>	HBW1/1、 HBW1/1.25、 HBW1/2.5、 HBW1/5、 HBW1/10、 HBW1/15、 HBW1/30、 HBW2/20 HBW2.5/6.25、 HBW2.5/7.8125、 HBW2.5/15.625、 HBW2.5/31.25、 HBW2.5/62.5、 HBW5/25、 HBW5/31.25、 HBW5/62.5
<b>Scale Conversion</b>	HRA、 HRB、 HRC、 HRD、 HRE、 HRF、 HRG、 HRH、 HRK、 HS、 HV、 HK、 HBW、 HR15N、 HR30N、 HR45N、 HR15T、 HR30T、 HR45T
<b>Test Force App. &amp; Ctrl.</b>	Fully Automatic (Loading/Dwell/Unloading)
<b>Indenter &amp; Obj. Switch</b>	Automatic
<b>Indenter Size</b>	Φ1mm, Φ2.5mm (Φ2mm, Φ5mm optional)
<b>Micrometer Eyepiece</b>	10X
<b>Objectives</b>	5X、 10X
<b>Total Magnification</b>	50X、 100X
<b>Test Height</b>	175mm
<b>Test Throat</b>	125mm
<b>Reading Method</b>	Automatic input of indentation length; Hardness value displayed on LCD screen.
<b>Power Supply</b>	AC220V, 50Hz
<b>Machine Dimensions (LxWxH)</b>	320mm*580mm*620mm
<b>Net Weight</b>	65KG

## Standard Delivery

Name	Qty	Photo
<b>Machine Mainframe</b>	1 pc	
<b>10X Digital Micrometer Eyepiece</b>	1 pc	
<b>Φ150mm Test Anvil</b>	1 pc	
<b>Φ58mm Test Anvil</b>	1 pc	
<b>Φ58mm V-Anvil</b>	1 pc	
<b>Φ1mm Brinell Indenter</b>	1 pc	
<b>Φ2.5mm Brinell Indenter</b>	1 pc	
<b>Φ1mm, Φ2.5mm Tungsten Carbide Balls</b>	each 1	
<b>Test Block 90~110HBW2.5/62.5</b>	1 pc	

## Standard Delivery

Name	Qty	Photo
Test Block 85~105HBW1/10	1 pc	
Spirit Level	1 pc	/
Fuse	2 pcs	/
Leveling Screws	4 pcs	/
Hex Key	1 pc	/
Dust Cover	1 pc	/
Screwdriver	1 pc	/
Power Cord	1 pc	/
User Manual	1 pc	/
Certificate of Conformity	1 pc	/

## Optional Delivery

### Optional Accessories

Tungsten Carbide Balls

Various Work Stages

Various Test Blocks

Optional Internal Components

Various Indenters

### Mikrosize Precision Instrument Co.,Ltd

Add: A-4035 RuiFeng Business Expo , Wuhu City, China , 241000.

Tel: 0553-2836939 Fax:0553-2836938 Web: [www.mikrosize.com](http://www.mikrosize.com)

