

uRocky-DN

Dolphin Nose Rockwell Hardness Tester



Video



Contact us

Mikrosize Precision Instrument Co.,Ltd

A-4035 RuiFeng Business Expo, Wuhu City, China , 241000.

Web: www.mikrosize.com

Email: mikrosize@mikrosize.com



Features and Applications

Product Features

- Extended horizontally designed indenter can test the parts that are unable to be measured by general hardness tester, such as ring and tube, with the minimum test inner diameter of 25mm.
- Closed loop control system, high precision load cell in stead of dead weights, working directly after connecting with electric power.
- Touch screen for user directly select the hardness scale, test force and displays hardness value, conversion scale, test force, dwell time, etc.
- Semi-automatic type, initial test force loading manually, then main force loading by motor (loading main force, dwell, unload automatically), greatly improved working efficiency. With all kinds of rockwell hardness scales HRA HRB HRC etc and high resolution 0.1HR.
- Automatic correction of high, medium and low hardness value on touch screen.
- Automatic correction of load, with the force accuracy increased by dynamometer.
- Automatically apply the initial test force and the main test force.
- Automatic testing process: Automatic loading -Dwell - Unloading, and automatic display hardness value.
- Curve display: test force, displacement depth change curve, real-time test force value curve. Powerful data processing function, including: HR,HB, HV and other hardness scale conversion.
- Qualified range can be set, automatic alarm over the limit, tester's name, sample name and other information can be input.
- Operator can set up a password for the machine to protect setup parameters. Safely keep test information and setted parameters.
- With USB interface, test data can be saved in U-flash directly in Excel format. easy to edit and process.
- Machine adopted modular design, easy maintenance.



Features and Applications

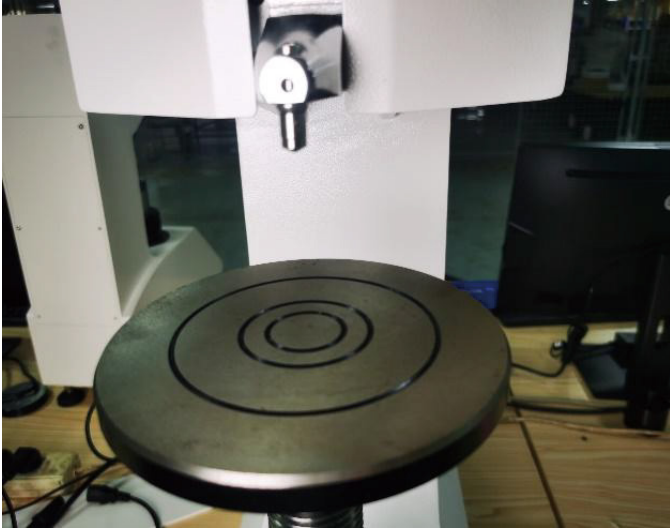
Product Applications

- Industrial production, Inspection of product quality on processing technology. Ferrous and non-ferrous metals, Hardened steel, tempered steel, annealed steel, hardened steel, sheet of various thicknesses, carbide materials, powder metallurgy materials, hardness and thermal spray coating.
- Dolphin Nose Indenter (Nose mounted indenter) allows access to awkward to reach test points: 1) Ring shape material; 2) Tubular material; 3) Screw corner; 4) Bearing corner, etc.



Product Details

Detailed Photos



Product Details

USB Interface



Operation Interface

Scale Selection

Tester Product Name

Radius of Curvature Acceptable Range to

Hardness Type Conversion Type

Dwell Time Conversion Value

Hardness Value Displacement Initiation

Main Interface

Calibration

Scale

Standard Low Middle High

Measured

Hardness Calibration

Force Calibration

Standard: kg

Measured: kg

Force Calibration

Measurement Scale

<input type="button" value="HR15N/D"/>	<input type="button" value="HR30N/D"/>	<input type="button" value="HR45N/D"/>
<input type="button" value="HR15T/1.588"/>	<input type="button" value="HR30T/1.588"/>	<input type="button" value="HR45T/1.588"/>
<input type="button" value="HR15W/3.175"/>	<input type="button" value="HR30W/3.175"/>	<input type="button" value="HR45W/3.175"/>
<input type="button" value="HR15X/6.35"/>	<input type="button" value="HR30X/6.35"/>	<input type="button" value="HR45X/6.35"/>
<input type="button" value="HR15Y/12.7"/>	<input type="button" value="HR30Y/12.7"/>	<input type="button" value="HR45Y/12.7"/>

Please choose the right indenter for the scale you choosed.
Explanation

Scale/Force/Indentor Scale/Force/Indentor

uRocky-150DN

Measurement Scale

<input type="button" value="Calibration"/>	<input type="button" value="HRB/100/1.588"/>	<input type="button" value="HRC/150/D"/>	<input type="button" value="HRD/100/D"/>
<input type="button" value="HRE/100/3.175"/>	<input type="button" value="HRF/60/1.588"/>	<input type="button" value="HRG/150/1.588"/>	<input type="button" value="HRH/60/3.175"/>
<input type="button" value="HRK/150/3.175"/>	<input type="button" value="HRL/60/6.35"/>	<input type="button" value="HRM/100/6.35"/>	<input type="button" value="HRP/150/6.35"/>
<input type="button" value="HRR/60/12.7"/>	<input type="button" value="HRS/100/12.7"/>	<input type="button" value="HRV/150/12.7"/>	

Please choose the right indenter for the scale you choosed.
Explanation

Scale/Force/Indentor

uRocky-45DN

Measurement Scale

<input type="button" value="Calibration"/>	<input type="button" value="HRB/100/1.588"/>	<input type="button" value="HRC/150/D"/>	<input type="button" value="HRD/100/D"/>
<input type="button" value="HRE/100/3.175"/>	<input type="button" value="HRF/60/1.588"/>	<input type="button" value="HRG/150/1.588"/>	<input type="button" value="HRH/60/3.175"/>
<input type="button" value="HRK/150/3.175"/>	<input type="button" value="HRL/60/6.35"/>	<input type="button" value="HRM/100/6.35"/>	<input type="button" value="HRP/150/6.35"/>
<input type="button" value="HRR/60/12.7"/>	<input type="button" value="HRS/100/12.7"/>	<input type="button" value="HRV/150/12.7"/>	

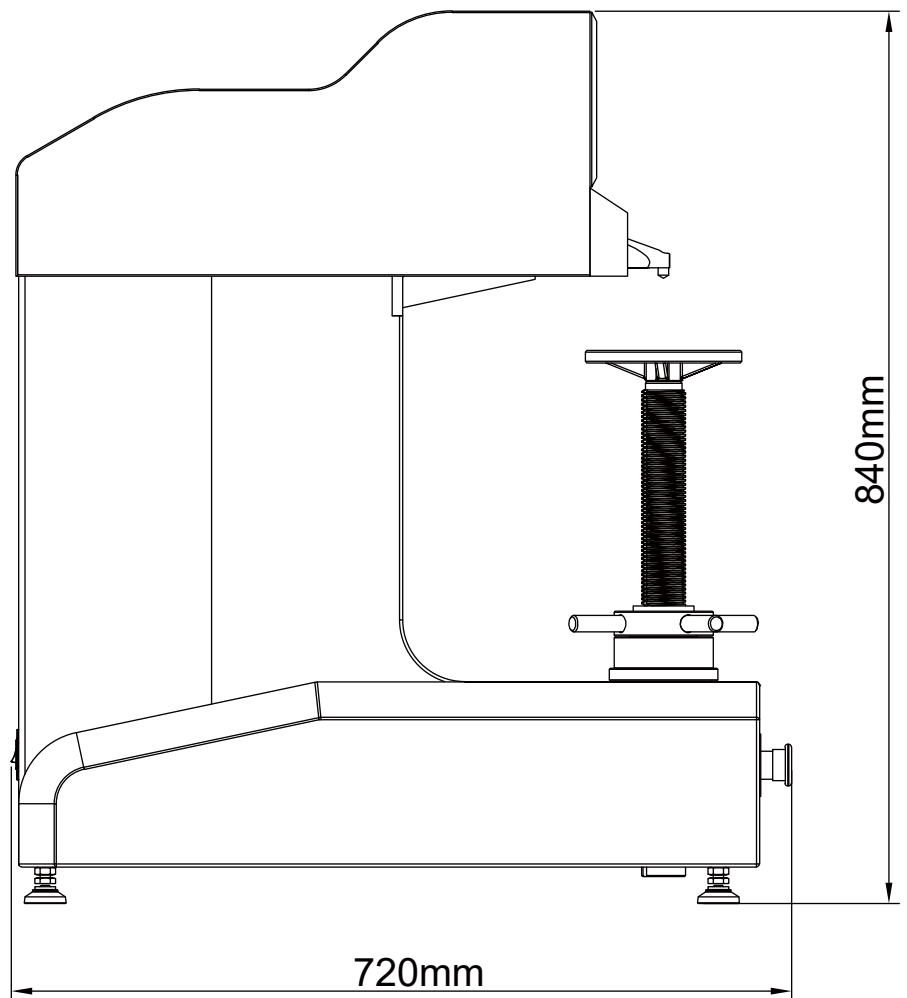
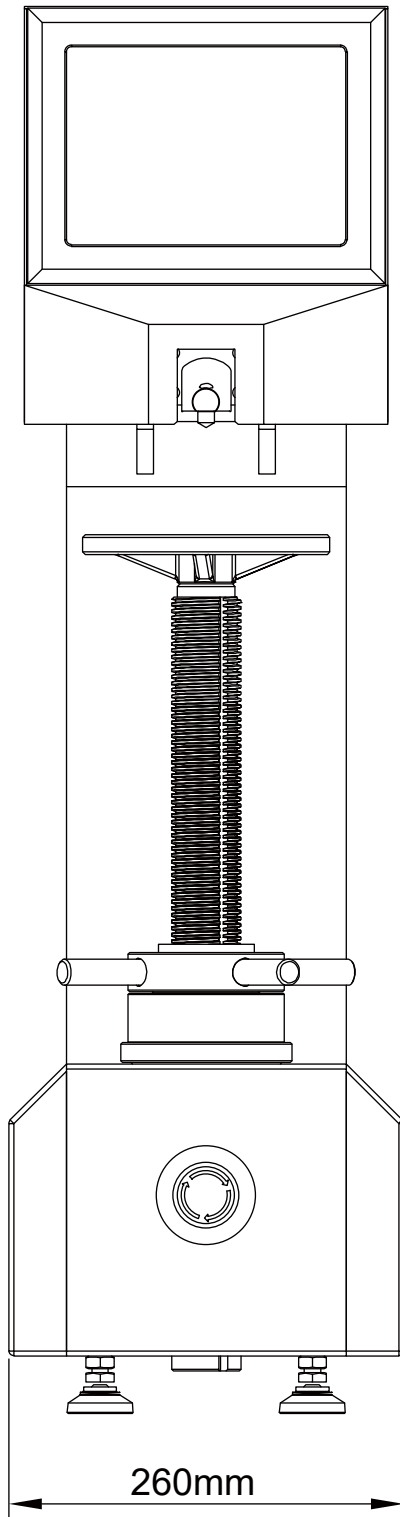
<input type="button" value="HR15N/D"/>	<input type="button" value="HR30N/D"/>	<input type="button" value="HR45N/D"/>
<input type="button" value="HR15T/1.588"/>	<input type="button" value="HR30T/1.588"/>	<input type="button" value="HR45T/1.588"/>
<input type="button" value="HR15W/3.175"/>	<input type="button" value="HR30W/3.175"/>	<input type="button" value="HR45W/3.175"/>
<input type="button" value="HR15X/6.35"/>	<input type="button" value="HR30X/6.35"/>	<input type="button" value="HR45X/6.35"/>
<input type="button" value="HR15Y/12.7"/>	<input type="button" value="HR30Y/12.7"/>	<input type="button" value="HR45Y/12.7"/>

Please choose the right indenter for the scale you choosed.
Explanation

Scale/Force/Indentor Scale/Force/Indentor

uRocky-150/45DN

Instrument Dimension






Technical Specification

Model	uRocky-150DN	uRocky-45DN	uRocky-150/45DN
Product Name	Dolphin Nose Rockwell Hardness Tester	Dolphin Nose Superficial Rockwell Hardness Tester	Dolphin Nose Twin Rockwell Hardness Tester
Initial Test Force (Error < 0.5%)	10Kgf(98.07N)	3.0kgf(29.4N)	Rockwell: 10Kg-f(98.07N)
			Superficial Rockwell:3.0kgf(29.4N)
Total Test Force (Error <0.5%)	60kgf(588N) 100kgf(980N) 150kgf(1471N)	15kgf (147.1N) 30kgf (294.2N) 45kgf (441.3N)	Rockwell: 60kgf(588N) 100kgf(980N) 150kgf(1471N)
			Superficial Rockwell: 15kgf (147.1N) 30kgf (294.2N) 45kgf (441.3N)
Hardness Scale	HRA, HRB, HRC, HRD,HRE, HRF, HRG, HRH,HRK, HRL, HRM, HRR, HRP, HRS, HRV	15N, 15T, 15W, 15X,15Y, 30N, 30T, 30W,30X, 30Y, 45N, 45T, 45W, 45X, 45Y	Rockwell: HRA, HRB, HRC,HRD, HRE,HRF, HRG,HRH, HRK,HRL, HRM,HRR, HRP,HRS, HRV
			Superficial Rockwell: 15N,15T, 15W, 15X, 15Y,30N, 30T, 30W, 30X,30Y, 45N, 45T, 45W,45X, 45Y
Conversion Scale	HRA, HRB, HRC, HRD, HRF, HV, HK, HBW, HR15N, HR30N, HR45N,HR15T, HR30T, HR45T		

Technical Specification

Hardness Range	HRA:20-88, HRB:20-100, HRC:20-70, HRD:40-77, HRE:70-100, HRF:60-100, HRG:30-94, HRH:80-100, HRK:40-100, HRL:100-120, HRM:85-115, HRR:114-125	HR15N: 70-94, HR30N: 42-86, HR45N: 20-77, HR15T: 67-93, HR30T: 29-82, HR45T: 10-72	Rockwell: HRA:20-88 HRB:20-100, HRC:20-70 HRD:40-77, HRE:70-100 HRF:60-100, HRG:30-94 HRH:80-100, HRK:40-100 HRL:100-120, HRM:85-115 HRR:114-125 Superficial Rockwell: HR15N: 70-94, HR30N: 42-86, HR45N: 20-77, HR15T: 67-93, HR30T: 29-82, HR45T: 10-72
Executive Standards	BSEN 6508, ISO 6508, ASTM E18, GB/T230		
Dwell Time	0-99s		
Hardness Resolution	0.1 HR		
Data Display	Touch LCD		
Data Save	The measured values are saved on USB flash drive in Excel format		
Test Height	300mm		
Test Throat	250mm		
Machine Dimension	720 * 260 * 840 mm		
Net Weight	80kg		
Power Supply	AC220+5%, 50~60hz		

Standard Delivery

Name	Qty	Photo
Diamond Rockwell Indentor	1 pc	
Regulating Screw	4 pcs	/
USB Flash Disk	1 pc	
Power Line	1 pc	/
Touch Pen	1 pc	
2A Fuse	2 pcs	/
Diameter 1.5875mm ball head	1 copy	/
Dust-proof Plastic Cover	1 pc	/

Standard Delivery

Name	Qty	Photo
150mm Test Anvil	1 pc	
55mm Test Anvil	each1	
40mm V-shaped Test Anvil	1 pc	
HRC High Hardness Block	1 pc	
HRC Low Hardness Block	1 pc	
HRB Hardness Block	1 pc	
HR15N Hardness Block	1 pc	/

Standard Delivery

Name	Qty	Photo
HR30N Hardness Block	1 pc	/
HR30T Hardness Block	1 pc	/
Hardness Block (HRC high and low, HRB)	3 pcs	/
Hardness Block (HR15, HR30N, HR30T)	3 pcs	/
V-shaped Test Anvil	1 pc	/
Product Certificate	1 copy	/
Instruction Manual	1 copy	/